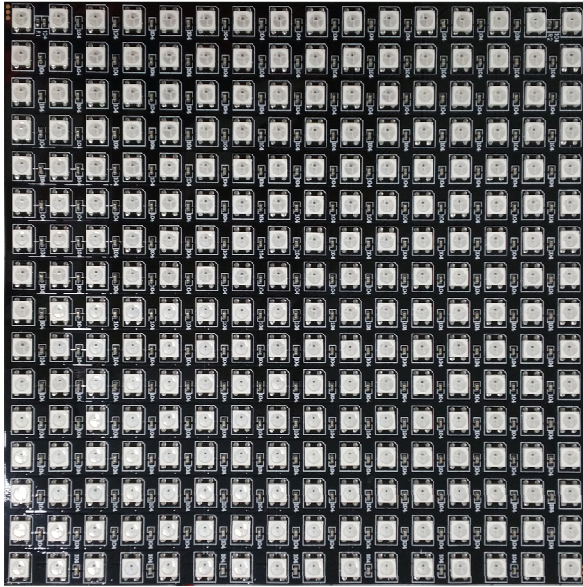


LED FLEXIBLE PANEL SERIES
PRODUCT SERIES DATASHEET

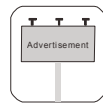


LED Smart Flexible Panel Series



88Light LED Flexible Panel series is ideal for Backlighting, Decoration and Advertising.
The panel can be mounted easily anywhere.
88Light LED Flexible panel is widely used in Shopping Mall, Parking lots, Bus, Bank, Living Room, Cafe and so on.
CE RoHS approved.

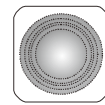
Applications:



Advertising



Backlight



Decoration



Restaurant

PRODUCT FEATURES

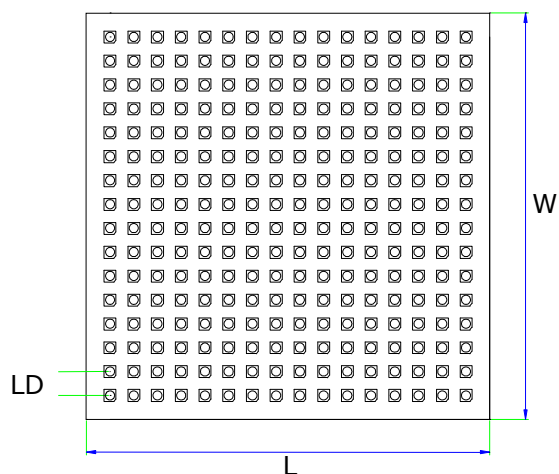
- Lightweight and slim, suitable for small spaces.
- Flexible, easy to bend into a variety of shapes.
- High quality single color, high brightness, low luminance decay SMD Chip.
- Large beam angle.
- Smart chip inside for different media showing.
- R, G, B color 3x255 level dimming.
- 5V dc low voltage, low power consumption, low heat, higher security.
- Allow frequent on off.
- Working temperature: -20 ~ +40°C



LED FLEXIBLE PANEL SERIES
 PRODUCT SERIES DATASHEET



PRODUCT DIAGRAM



Product Name	Length ¹	Width	LD ²	Height
88L-FP-L170x170-70W	170mm	170mm	10mm	2.5mm
88L-FP-L340x90-70W	340mm	90mm	10mm	6.5mm

Note 1: The dimension of the strips doesn't change with the LED color.

Note 2: LD: the center distance between two LEDs.

LED FLEXIBLE PANEL SERIES
PRODUCT SERIES DATASHEET



TECHNICAL DATA

Electrical data ^{3, 4}:

Product Name ²	Input Voltage [Vdc]	Base	LED/group	Power	Dimmable [Y/N]	LED Qty	IP grade
88L-FP-L170x170-70W	5	No	1	70W	Y	256pcs SMD5050	20
88L-FP-L340x90-70W	5	No	1	70W	Y	256pcs SMD5050	20

Note: 3. Absolute ratings @ 25°C

Note: 4. Dimming adjust in software.

Optical Characteristics ^{3, 5}:

Product Name	Color	Color Temperature [°K]	Using Distance	Luminous ⁵ [lm/w]	Beam Angle [V/L°]	CRI [Ra]
88L-FP-L340x90-70W	RGB	---	>15mm	120	120	---
88L-FP-L170x170-70W	RGB	---	>15mm	120	120	---

Note 3: Absolute ratings @ 25°C

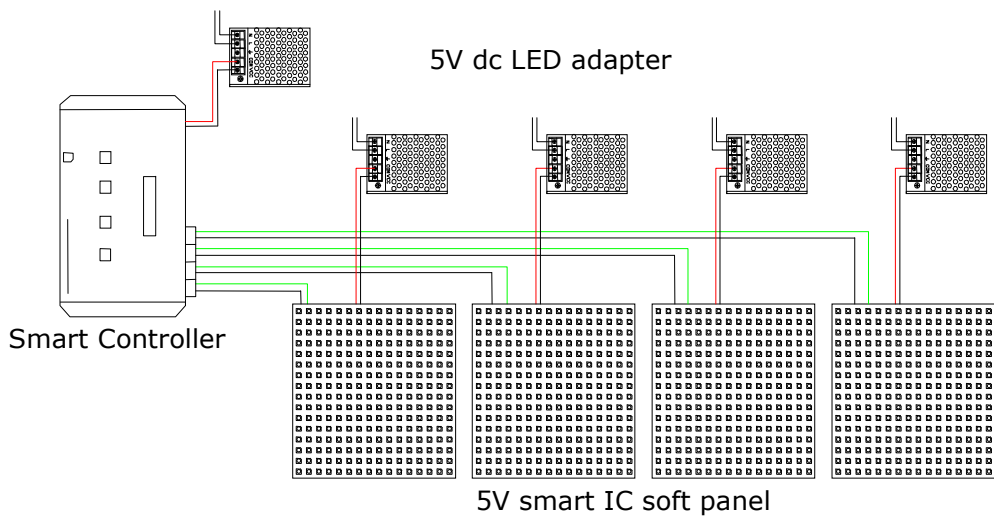
Note 5: Tolerance of measurement of luminous intensity±15%.

LED FLEXIBLE PANEL SERIES
PRODUCT SERIES DATASHEET



PRODUCT INSTALLATION ^{5,6}

Electrical diagram drawing.



LED FLEXIBLE PANEL SERIES PRODUCT SERIES DATASHEET



SAFETY

1. **Always** consult a qualified, licensed electrician prior to the installation of this product.
2. **Always** pre-test your strip light assembly by connecting the strip to a power supply and ensure that all components are joined properly before installing.
3. It is recommended that adequate airflow and heat sink be taken into account in the application and installation of this product. Improper thermal management may lead to premature failure.
4. Exceeding the operating temperature values may damage LED chips by reducing the lamp life and lumen output, and impact color consistency.
5. Avoid voltage drop by using a dedicated line for each maximum power consumption line.
6. "Voltage drop" is a gradual lessening of power through a wire over a long distance. The farther the light is away from the power source, the more voltage drop will occur. Voltage drop becomes a significant factor in any LED light application when the distance between the lights and the power source is greater than 15 feet. Consult a licensed electrician and an online voltage drop calculator to learn what gauge wire will work best for your configuration.
7. The manufacturer rates each power supply for maximum power output at optimum thermal and voltage conditions. As with any power supply, true actual maximum continuous current output depends upon various environmental factors such as ambient temperature, line voltage fluctuations, and orientation that may affect heat dissipation. For optimum performance, make sure the load is between 50% and 80% of the total capacity of the power supply.
8. LED products are continuously being improved upon in ever-shortening manufacturing cycles. LED color temperature (kelvin), lumen output, and product appearance can change from order to order. Please note that variation in color temperature (kelvin) is commonly +/- 250k and brightness (lumens) is +/- 10%.

OTHER 88Light PRODUCTS:

For more information about 88Light products, or to use our online energy saving calculation software please visit our website

www.88light.com

DISCLAIMER:

88Light reserves the right to modify the design of our products as part of the company's program of continuous improvement. 88Light cannot guarantee to match existing installed product for subsequent orders or replace the product exactly to match the product you are replacing in product appearance, color, or brightness. Specifications are subject to change without notice.